

/ Perfect Welding / Solar Energy / Perfect Charging

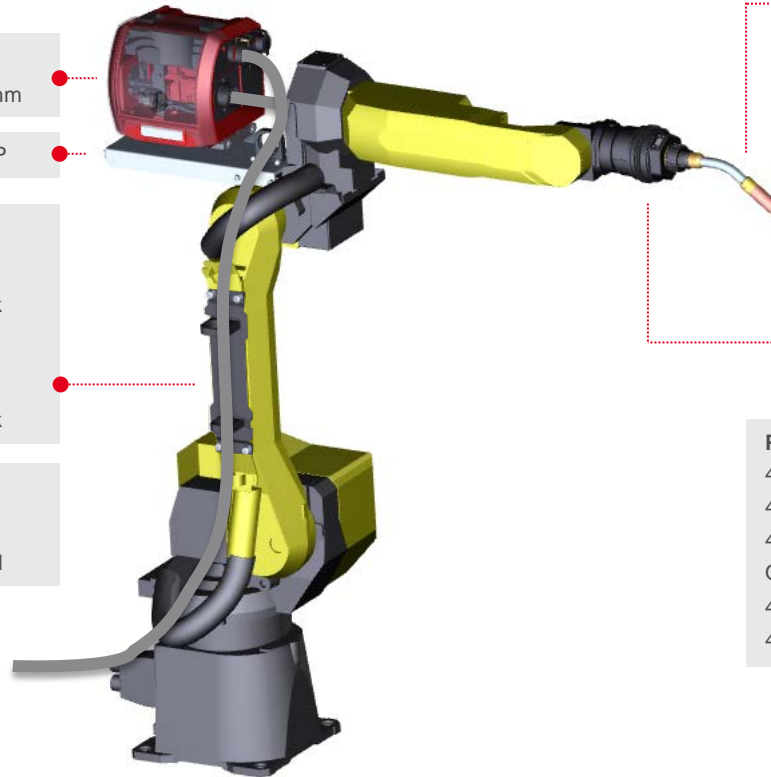


Fronius International GmbH  
Strategic Product Management IWS  
Froniusplatz 1, 4600 Wels  
Austria

**FANUC**  
100iC 12L

# FANUC 100iC 12L

## PUSH -- BASIC



4,049,036 WF 25i R /PAP/4R/G/W/FSC  
4x 44,0001,1407 Feeder Roll FSR U 1,2mm

4,101,188 WF MOUNTING QuickSlide PAP

### Gascooled version:

4,047,876 HP 70i CON R /G/4m

4,100,568 Mounting extension hose pack

### Watercooled version:

4,047,880 HP 70i CON R /W/4m

4,100,568 Mounting extension hose pack

8m 40,0001,0527 Wire feed hose

4,100,890 OPT/I WF Quick Connect

4,100,896 OPT/I WF Quick Connect Coil

### Gascooled version:

4,047,900 MHP 400i R/G/PAP/FSC/0,96m

44,0350,3465 MTB 400i G R/22°/L241/L50

44,0350,5120 BK Fe ø1,2 G/W/5m

### Watercooled version:

4,047,916 MHP 700i R/W/PAP/FSC/0,96m

44,0350,3494 MTB 500i W R/22°/L241/H50

44,0350,5120 BK Fe ø1,2 G/W/5m

42,0100,0570 RFP i 56 PAP 8M4 62

44,0350,3663 CrashBox /i PAP L

### PowerSource:

4,075,172 TPS 320i

4,044,035 RI FB/i Fanuc 1.0

41,0018,0084 RI MOD/i CC Ethernet/IP

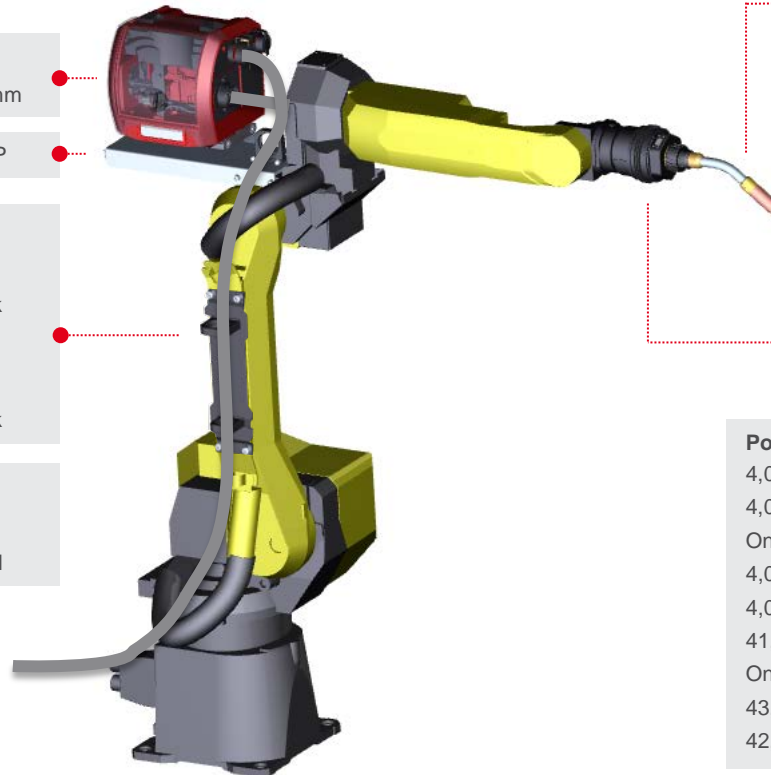
Only W: 4,048,003 CU 1100i

43,0004,2262 Earth cable 70mm<sup>2</sup> 10m + cable lug

42,0510,0011 Pressure control valve Ar/CO<sub>2</sub> 3-30l/min

# FANUC 100iC 12L

## PUSH -- STANDARD



4,049,036 WF 25i R /PAP/4R/G/W/FSC  
4x 44,0001,1407 Feeder Roll FSR U 1,2mm

4,101,188 WF MOUNTING QuickSlide PAP

### Gascooled version:

4,047,878 HP 70i CON R /G/8m  
4,100,568 Mounting extension hose pack

### Watercooled version:

4,047,883 HP 70i CON R /W/8m  
4,100,568 Mounting extension hose pack

8m 40,0001,0527 Wire feed hose  
4,100,890 OPT/I WF Quick Connect  
4,100,896 OPT/I WF Quick Connect Coil

### Gascooled version:

4,047,900 MHP 400i R/G/PAP/FSC/0,96m  
44,0350,3465 MTB 400i G R/22°/L241/L50  
44,0350,5120 BK Fe ø1,2 G/W/5m

### Watercooled version:

4,047,916 MHP 700i R/W/PAP/FSC/0,96m  
44,0350,3494 MTB 500i W R/22°/L241/H50  
44,0350,5120 BK Fe ø1,2 G/W/5m

42,0100,0570 RFP i 56 PAP 8M4 62  
44,0350,3663 CrashBox /i PAP L

### PowerSource:

4,075,174 TPS 400i  
4,066,013 Welding Process Pulse  
Only W: 4,100,808,1K OPT/i TPS 2. NT241 CU 1400i /IK  
4,077,001 Podium  
4,044,035 RI FB/i Fanuc 1.0  
41,0018,0084 RI MOD/i CC Ethernet/IP  
Only W: 4,048,004 CU 1400i Pro  
43,0004,2262 Earth cable 70mm<sup>2</sup> 10m + cable lug  
42,0510,0011 Pressure control valve Ar/CO2 3-30l/min

# FANUC 100iC 12L

## PUSH -- PRO

4,049,036 WF 25i R /PAP/4R/G/W/FSC  
4x 44,0001,1407 Feeder Roll FSR U 1,2mm

4,101,188 WF MOUNTING QuickSlide PAP

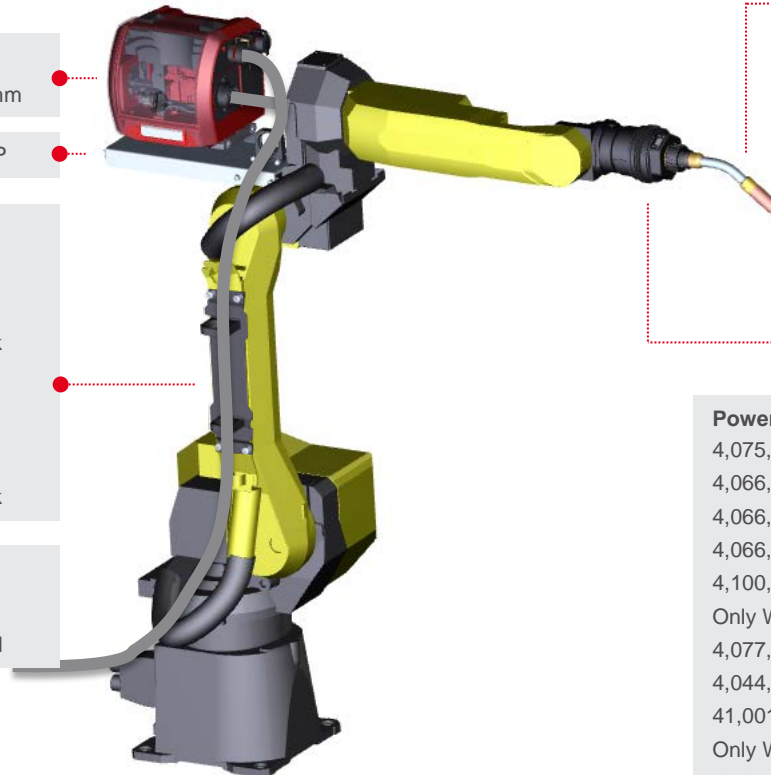
### Gascooled version:

4,047,836 HP 95i CON /G/5m  
4,047,889 HP 95i EXT R /G/3m  
4,100,568 Mounting extension hose pack

### Watercooled version:

4,047,848 HP 95i CON /W/5m  
4,047,891 HP 95i EXT R /W/3m  
4,100,568 Mounting extension hose pack

8m 40,0001,0527 Wire feed hose  
4,100,890 OPT/I WF Quick Connect  
4,100,896 OPT/I WF Quick Connect Coil



### Gascooled version:

4,047,900 MHP 400i R/G/PAP/FSC/0,96m  
44,0350,3465 MTB 400i G R/22°/L241/L50  
44,0350,5120 BK Fe ø1,2 G/W/5m

### Watercooled version:

4,047,916 MHP 700i R/W/PAP/FSC/0,96m  
44,0350,3494 MTB 500i W R/22°/L241/H50  
44,0350,5120 BK Fe ø1,2 G/W/5m

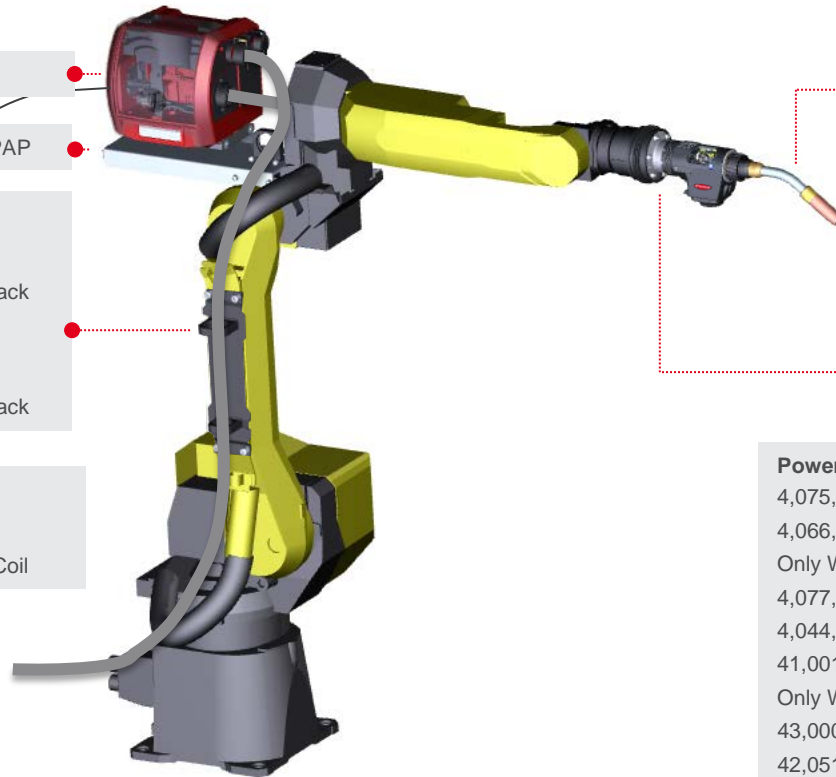
42,0100,0570 RFP i 56 PAP 8M4 62

44,0350,3663 CrashBox /i PAP L

### PowerSource:

4,075,176 TPS 500i  
4,066,013 Welding Process Pulse  
4,066,014 Welding Process LSC  
4,066,015 Welding Process PMC  
4,100,886,IK OPT/i TPS 4x Switch SpeedNet  
Only W: 4,100,808,IK OPT/i TPS 2. NT241 CU 1400i /IK  
4,077,001 Podium  
4,044,035 RI FB/i Fanuc 1.0  
41,0018,0084 RI MOD/i CC Ethernet/IP  
Only W: 4,048,004,633 CU 1400i Pro/MC  
4,046,105 RC Panel Standard /5m  
43,0004,2130 Earth cable 95mm<sup>2</sup> 10m + earth clamp  
42,0510,0011 Pressure control valve Ar/CO<sub>2</sub> 3-30l/min

# FANUC 100iC 12L POWER DRIVE



4,040,081 SB 500i R/PAP/G/W/FSC

4,101,188 WF MOUNTING QuickSlide PAP

**Gascooled version:**

4,047,878 HP 70i CON R /G/8m

4,100,568 Mounting extension hose pack

**Watercooled version:**

4,047,883 HP 70i CON R /W/8m

4,100,568 Mounting extension hose pack

5m 40,0001,0527 Wire feed hose

4,100,890 OPT/I WF Quick Connect

4,100,896 OPT/I WF Quick Connect Coil

**Gascooled version:**

4,047,932 MHP 400i RD/G/PAP/FSC/0,945m

4,036,389 WF 25i Robacta Drive/G

44,0350,3465 MTB 400i G R/22°/L241/H50

44,0350,5285 BK RD AL ø1,2 /G CuSi /G /W

**Watercooled version:**

4,047,948 MHP 500i  
RD/W/PAP/FSC/0,945m

4,036,388 WF 25i Robacta Drive/W

44,0350,3495 MTB 500i W R/36°/L224/H86

44,0350,5292 BK RD Al ø1,2 /W

42,0100,0570 RFP i 56 PAP 8M4 62

44,0350,3379 CrashBox Drive /i PAP XL

**PowerSource:**

4,075,179 TPS 400i PULSE

4,066,015 Welding Process PMC

Only W: 4,100,808,IK OPT/i TPS 2. NT241 CU 1400i /IK

4,077,001 Podium

4,044,035 RI FB/i Fanuc 1.0

41,0018,0084 RI MOD/i CC Ethernet/IP

Only W: 4,048,004,633 CU 1400i Pro MC

43,0004,2262 Earth cable 70mm<sup>2</sup> 10m + cable lug

42,0510,0011 Pressure control valve Ar/CO2 3-30l/min

# FANUC 100iC 12L

## PUSHPULL -- DRIVE

4,040,081 SB 500i R/PAP/G/W/FSC

4,101,188 WF MOUNTING QuickSlide PAP

### Gascooled version:

4,047,878 HP 70i CON R /G/8m

4,100,568 Mounting extension hose pack

### Watercooled version:

4,047,883 HP 70i CON R /W/8m

4,100,568 Mounting extension hose pack

10m 40,0001,0527 Wire feed hose

2x 4,100,890 OPT/I WF Quick Connect

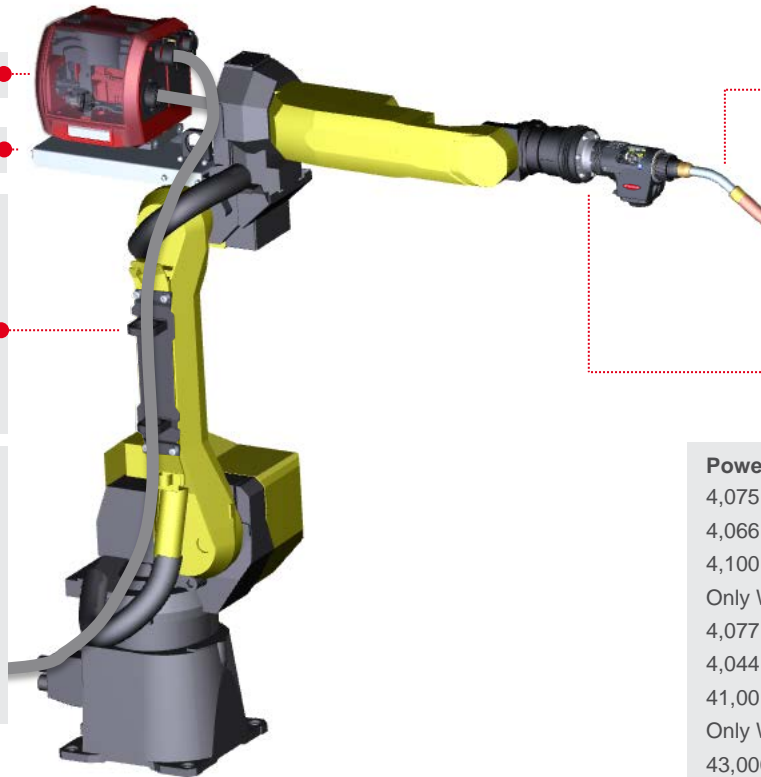
4,100,845 WF Mounting Drum

4,049,039 WF 30i REEL R/2R

42,0001,4582 Drive roll 1,2

44,0001,3430 Pressure roll 1,2

4,051,022 OPT/I SpeedNet Cable CON 5m



### Gascooled version:

4,047,932 MHP 400i RD/G/PAP/FSC/0,945m

4,036,389 WF 25i Robacta Drive/G

44,0350,3465 MTB 400i G R/22°/L241/H50

44,0350,5285 BK RD AL ø1,2 /G CuSi /G /W

### Watercooled version:

4,047,948 MHP 500i  
RD/W/PAP/FSC/0,945m

4,036,388 WF 25i Robacta Drive/W

44,0350,3495 MTB 500i W R/36°/L224/H86

44,0350,5292 BK RD Al ø1,2 /W

42,0100,0570 RFP i 56 PAP 8M4 62

44,0350,3379 CrashBox Drive /i PAP XL

### PowerSource:

4,075,179 TPS 400i PULSE

4,066,015 Welding Process PMC

4,100,886,IK OPT/i TPS 4xSwitch SpeedNet

Only W: 4,100,808,IK OPT/i TPS 2. NT241 CU 1400i /IK

4,077,001 Podium

4,044,035 RI FB/i Fanuc 1.0

41,0018,0084 RI MOD/i CC Ethernet/IP

Only W: 4,048,004,633 CU 1400i Pro MC

43,0004,2262 Earth cable 70mm<sup>2</sup> 10m + cable lug

42,0510,0011 Pressure control valve Ar/CO<sub>2</sub> 3-30l/min

# FANUC 100iC 12L PUSHPULL -- CMT

4,040,081 SB 500i R/PAP/G/W/FSC  
4,100,774,IK OPT/i External Sensor Plug

4,101,188 WF MOUNTING QuickSlide PAP

#### Gascooled version:

4,047,878 HP 70i CON R /G/8m

#### Watercooled version:

4,047,883 HP 70i CON R /W/8m

4,100,582 Mounting CMT PAP Fanuc

4,001,763 Wire buffer set CMT TPS/i

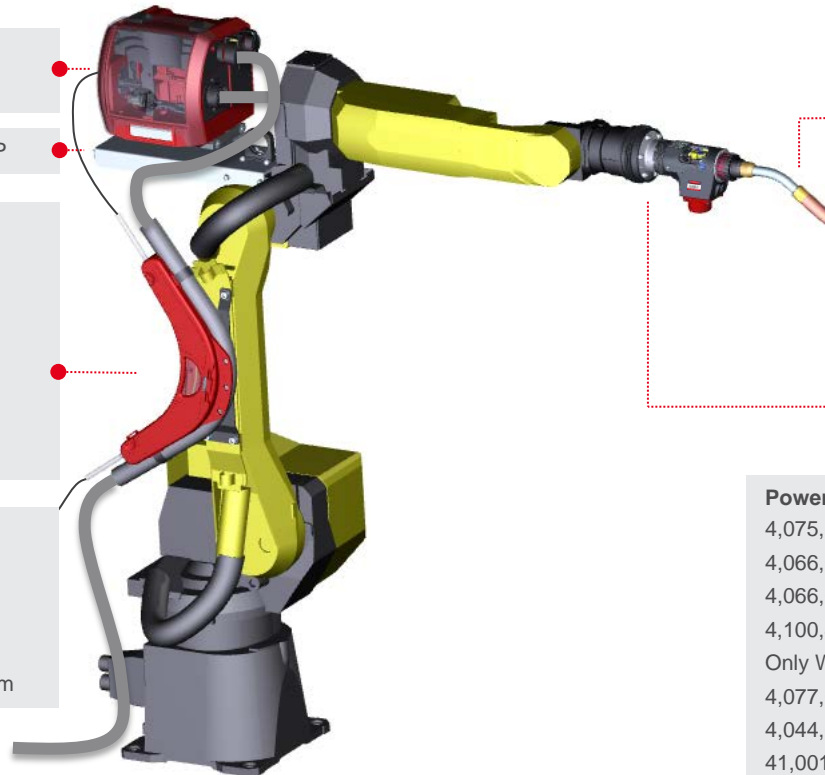
2x 4,100,890 OPT/I WF Quick Connect

4,100,845 WF Mounting Drum

4,049,041 WF 25i REEL R/4R

4x 44,0001,1407 wire feed roll U1,2

4,051,022 OPT/I SpeedNet Cable CON 5m



#### Gascooled version:

4,047,932 MHP 400i  
RD/G/PAP/FSC/0,945m

4,036,391 WF 60i Robacta Drive CMT/G

44,0350,3465 MTB 400i G R/22°/L241/H50

44,0350,5316 BK CMT RD Al ø1,2 G

#### Watercooled version:

4,047,948 MHP 500i  
RD/W/PAP/FSC/0,945m

4,036,390 WF 60i Robacta Drive CMT/W

44,0350,3495 MTB 500i W R/36°/L224/H86

44,0350,5322 BK CMT Al ø1,2/W

42,0100,0570 RFP i 56 PAP 8M4 62

44,0350,3379 CrashBox Drive /i PAP XL

#### PowerSource:

4,075,174 TPS 400i

4,066,013 Welding Process Pulse

4,066,016 Welding Process CMT

4,100,886,IK OPT/i TPS 4xSwitch SpeedNet

Only W: 4,100,808,IK OPT/i TPS 2. NT241 CU 1400i /IK

4,077,001 Podium

4,044,035 RI FB/i Fanuc 1.0

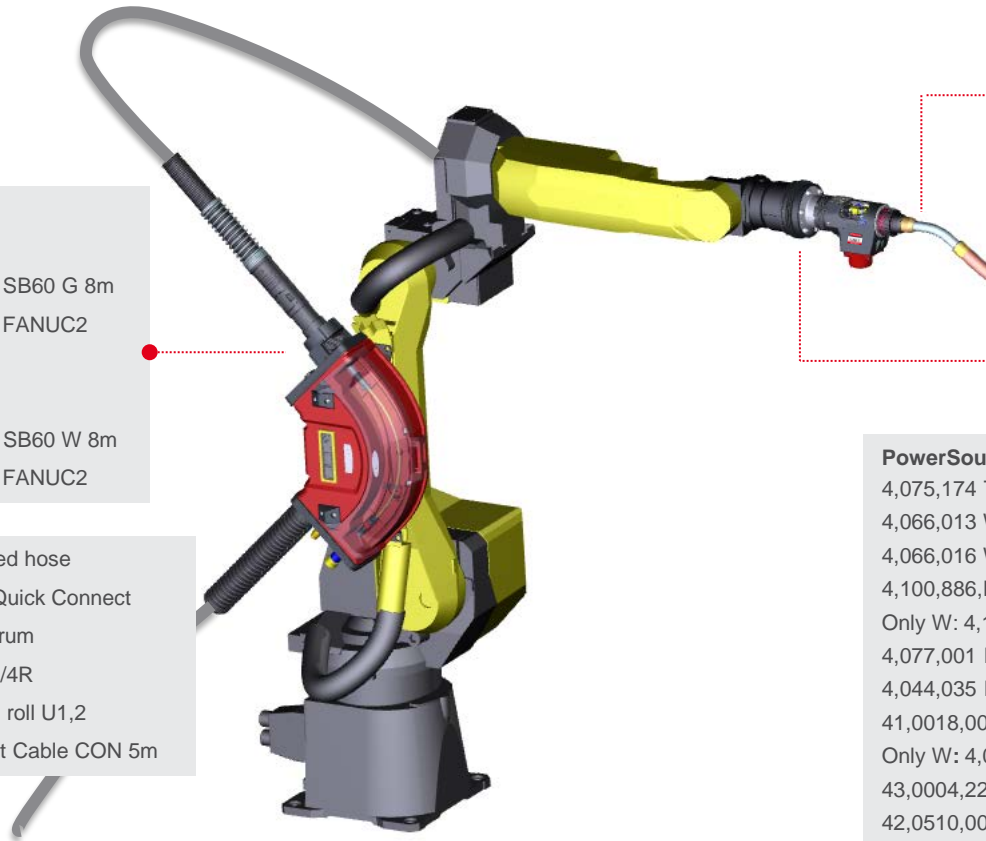
41,0018,0084 RI MOD/i CC Ethernet/IP

Only W: 4,048,004,633 CU 1400i Pro MC

43,0004,2262 Earth cable 70mm<sup>2</sup> 10m cable lug

42,0510,0011 Pressure control valve Ar/CO<sub>2</sub> 3-30l/min

# FANUC 100iC 12L PUSHPULL -- CMT (SB 60i)



#### Gascooled version:

- 4,051,126 MHP 400i RD/G/FSC/2,265m
- 4,036,391 WF 60i Robacta Drive CMT/G
- 44,0350,3465 MTB 400i G R/22°/L241
- 44,0350,5316 BK CMT AI ø1,2 G

#### Watercooled version:

- 4,051,127 MHP 500i RD/W/PAP/FSC/2,265m
- 4,036,390 WF 60i Robacta Drive CMT/W
- 44,0350,3494 MTB 500i W R/22°/L241
- 44,0350,5322 BK CMT AI ø1,2 W

- 42,0100,0570 RFP i 56 PAP 8M4 62
- 44,0350,3379 CrashBox Drive /i PAP XL

#### Gascooled version:

- 4,040,087 SB60i
- 4,051,202,IK HP 70i CON SB60 G 8m
- 4,101,119 Mounting SB60 FANUC2

#### Watercooled version:

- 4,040,087 SB60i
- 4,051,204,IK HP 70i CON SB60 W 8m
- 4,101,119 Mounting SB60 FANUC2

- 6m 40,0001,0527 Wire feed hose
- 2x 4,100,890 OPT/I WF Quick Connect
- 4,100,845 WF Mounting Drum
- 4,049,041 WF 25i REEL R/4R
- 4x 44,0001,1407 wire feed roll U1,2
- 4,051,022 OPT/I SpeedNet Cable CON 5m

#### PowerSource:

- 4,075,174 TPS 400i
- 4,066,013 Welding Process Pulse
- 4,066,016 Welding Process CMT
- 4,100,886,IK OPT/i TPS 4xSwitch SpeedNet
- Only W: 4,100,808,IK OPT/i TPS 2. NT241 CU 1400i /IK
- 4,077,001 Podium
- 4,044,035 RI FB/i Fanuc 1.0
- 41,0018,0084 RI MOD/i CC Ethernet/IP
- Only W: 4,048,004,633 CU 1400i Pro MC
- 43,0004,2262 Earth cable 70mm<sup>2</sup> 10m cable lug
- 42,0510,0011 Pressure control valve Ar/CO<sub>2</sub> 3-30l/min



/ Perfect Welding / Solar Energy / Perfect Charging



All information is without guarantee in spite of careful editing - liability excluded.

Intellectual property and copyright: all rights reserved. Copyright law and other laws protecting intellectual property apply to the content of this presentation and the documentation enclosed (including texts, pictures, graphics, animations etc.) unless expressly indicated otherwise. It is not permitted to use, copy or alter the content of this presentation for private or commercial purposes without explicit consent of Fronius.